

Typical unit

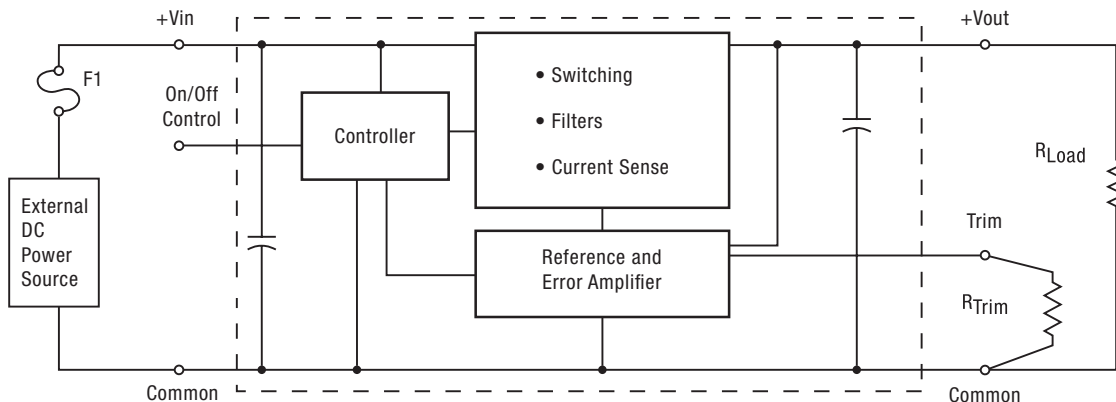
FEATURES

- 670 KHz operation
- 6.0-13.8 Vdc input voltage range
- Programmable output voltage from 0.591-5.0 VDC
- High power conversion efficiency at 94%
- Outstanding thermal derating performance
- Over temperature and over current protection
- On/Off control
- SIP, 1.45 x 0.44 x 0.61 inches (36.8 x 11.2 x 15.5 mm)
- Certified to UL/EN/IEC 60950-1 safety standards, 2nd edition
- RoHS-6 hazardous substance compliance
- Power Good

PRODUCT OVERVIEW

The OKR-T/20-W12-C is a miniature SIP non-isolated Point-of-Load (PoL) DC/DC power converter measuring only 1.45 x 0.44 x 0.61 inches (36.8 x 11.2 x 15.5 mm). The wide input range is 6.0 to 13.8 Volts DC. Based on 670 KHz synchronous buck topology, the high power conversion efficient Point of Load (PoL) module features programmable output voltage and On/Off control, under voltage lock out (UVLO), overcurrent and over temperature protections. These units meet all standard UL/EN/ IEC 60950-1 safety certifications and RoHS-6 hazardous substance compliance.

Figure 1. Connection Diagram



PERFORMANCE SPECIFICATIONS SUMMARY AND ORDERING GUIDE

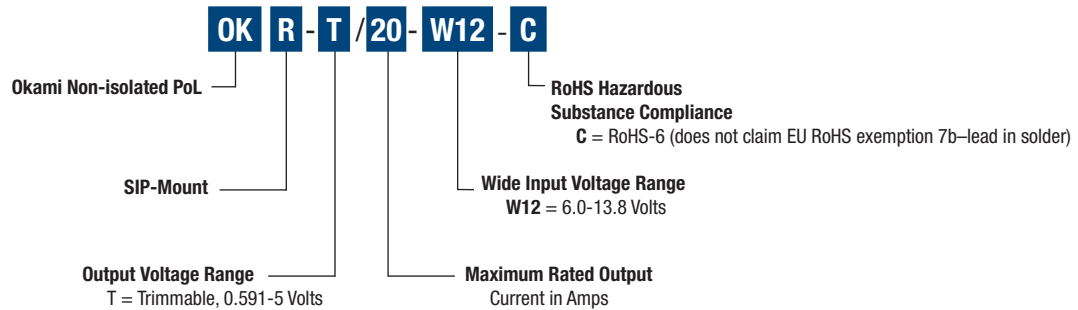
Root Model	Output						Input				Efficiency		Package
	V _{OUT} (Volts)	I _{OUT} (Amps max)	Power (Watts)	R/N (mVp-p)	Regulation (Max.)		V _{IN} Nom. (Volts)	Range (Volts)	I _{IN} , no load (mA)	I _{IN} , full load (Amps)	Min.	Typ.	Dimensions: inches (mm) L x W x H
				Max.	Line	Load							
OKR-T/20-W12-C	0.591-5	20	100	25	±0.3%	±0.5%	12	6.0-13.8	100	8.9	92%	94%	1.45 x 0.44 x 0.61 (36.8 x 11.2 x 15.5)

- ① Dimensions are in inches (mm).
- ② Ripple and Noise is shown at V_{OUT}=1.8V. See specs for details.
- ③ All specifications are at nominal line voltage, V_{OUT}= 5V and full load, +25 deg.C.

unless otherwise noted. Output capacitors are 3 22µF and 2 47µF ceramic. Input cap is 22 µF. See detailed specifications. I/O caps are necessary for our test equipment and may not be needed for your application.

- ④ V_{IN} must be 2V or higher than V_{OUT} for 3.3 to 5V outputs.

PART NUMBER STRUCTURE



FUNCTIONAL SPECIFICATIONS

ABSOLUTE MAXIMUM RATINGS	Conditions	Minimum	Typical/Nominal	Maximum	Units
Input Voltage, Continuous	Full power operation	6.0	12	13.8	Vdc
Output Power				102	W
Output Current	Current-limited, no damage, short-circuit protected	0		20	A
On/Off Control				Vin	Vdc
Power Good Pin				7	Vdc
Storage Temperature Range	Vin = Zero (no power)	-40		125	°C

Absolute maximums are stress ratings. Exposure of devices to greater than any of these conditions may adversely affect long-term reliability. Proper operation under conditions other than those listed in the Performance/Functional Specifications Table is not implied or recommended.

INPUT					
Operating voltage range		6.0	12	13.8	Vdc
Recommended External Fuse	Fast blow			40	A
Turn On/Start-up threshold	Rising input voltage	5.2	5.4	5.6	Vdc
Undervoltage Shutdown		4.2	4.4	4.6	Vdc
Internal Filter Type	C-Type				
Input current					
Full Load Conditions	Vin = nominal (5Vset)		8.8		A
Low Line	Vin @ min, 5Vset		15		A
Inrush Transient			1		A ² -Sec.
Short Circuit Input Current			NA		mA
No Load Input Current	Vout = 5V		100		mA
Shut-Down Mode Input Current			NA		mA
Reflected (back) ripple current	Measured at input with specified filter Cin = 100µF, Cbus = 1000µF, Lbus = 1µH		10		mA, pk-pk

GENERAL and SAFETY					
Efficiency	12Vin, 5Vout, 20A	92	94.2		%
Safety	Certified to UL-60950-1, CSA-C22.2 No.60950-1, IEC/60950-1, 2nd edition		Yes		
Calculated MTBF	Per Telcordia SR332, issue 1 class 3, ground fixed, Tambient = +25°C		8,724,722		Hours
Calculated MTBF	Per Mil-HDBK-217N2 Method		10,772,399		Hours

DYNAMIC CHARACTERISTICS					
Fixed Switching Frequency			670		KHz
Startup Time			4	10	mS
Dynamic Load Response	(Iout 50% - 75% nom, within 2% of Vout set, di/dt = 1A/µSec)			75	µSec
Dynamic Load Peak Deviation				150	mV

FEATURES and OPTIONS					
Remote On/Off Control					
Positive Logic, ON state	Pin pulled high	1.2		5	V
Control Current, ON state		0.04		1.3	mA
Positive Logic, OFF state	Pin open or pulled low	0		0.7	V
Control Current, OFF state	open collector/drain	0		6	µA
Remote Sense					mV
Power Good Option					
PGOOD, Open Drain Configuration, Sinking:					
Vout window for PGOOD: Upper limit		+8.3	+12.5	+16.2	%
Vout window for PGOOD: Lower limit		-15	-12.5	-9.2	%

OUTPUT					
Total Output Power		0	100	102	W
Voltage					
Nominal Output Voltage Range	See trim formula	0.591		5	Vdc
Setting Accuracy	At 50% load		±1.5		% of Vnom.
Output Voltage Overshoot-Startup				5	% Vo set
Current					
Output Current Range	Continuous	0		20	A
Current Limit Inception	98% of Vnom., after warmup	22	26	31	A

FUNCTIONAL SPECIFICATIONS (CONT.)

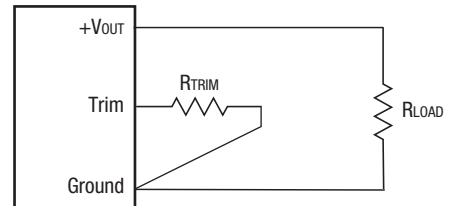
OUTPUT (CONT.)	Conditions	Minimum	Typical/Nominal	Maximum	Units
Short Circuit					
Short Circuit Current	Hiccup technique, autorecovery within ±1% of Vout		1		A
Short Circuit Duration (remove short for recovery)	Output shorted to ground, no damage				
Regulation					
Total Regulation Band		-3		3	% Vo set
Line Regulation	Vin = min to max, output @ nominal load			±0.3	%
Load Regulation	Min load to max load			±0.5	%
Ripple and Noise	1.8Vo, 12Vin		15	25	mV pk-pk
Temperature Coefficient			0.02		% of Vnom./°C
Maximum Capacitive Loading	Low ESR; > 1 mohm ESR > 15 mohm		1000 5000		µF µF
MECHANICAL					
Outline Dimensions	L x W x H		1.45 x 0.44 x 0.61 36.8 x 11.2 x 15.5		Inches mm
Weight			0.29 8.2		Ounces Grams
ENVIRONMENTAL					
Operating Ambient Temperature Range	full power, all output voltages, see derating curves	0		70	°C
Storage Temperature	Vin = Zero (no power)	-40		125	°C
RoHS rating			RoHS-6		

Trim Connections

Output Voltage Adjustment

The output voltage may be adjusted over a limited range by connecting an external trim resistor (Rtrim) between the Trim pin and Ground. The Rtrim resistor must be a 1/10 Watt precision metal film type, ±0.5% accuracy or better with low temperature coefficient, ±100 ppm/oC. or better. Mount the resistor close to the converter with very short leads or use a surface mount trim resistor.

In the tables below, the calculated resistance is given. Do not exceed the specified limits of the output voltage or the converter’s maximum power rating when applying these resistors. Also, avoid high noise at the Trim input. However, to prevent instability, you should never connect any capacitors to Trim.



$$R_{TRIM} (k\Omega) = \frac{1.182}{V_{OUT} - 0.591}$$

OKR-T/20-W12-C

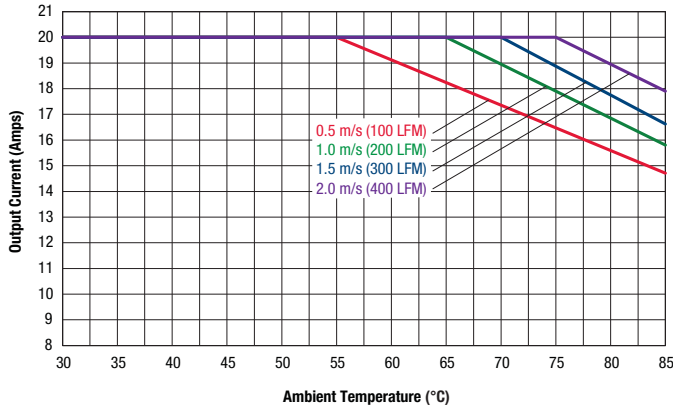
Output Voltage	Calculated Rtrim (Ω)
5 V.	268
3.3 V.	436
2.5 V.	619
1.8 V.	978
1.5 V.	1300
1.2 V.	1940
1.0 V.	2890
0.591 V.	∞ (open)

Resistor Trim Equation, OKR-T/20-W12-C models:

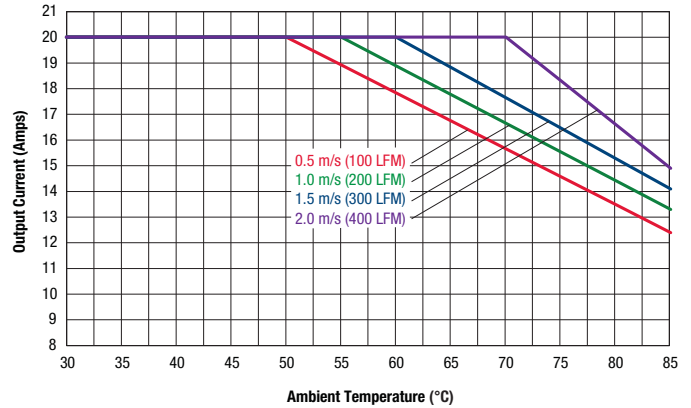
$$R_{TRIM} (k\Omega) = \frac{1.182}{(V_{OUT} - 0.591)}$$

PERFORMANCE DATA

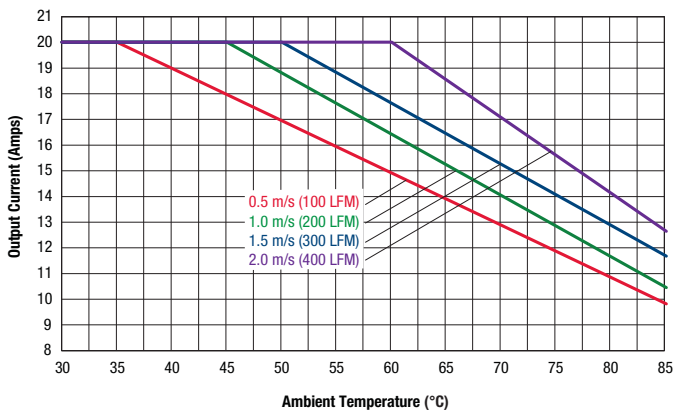
Maximum Current Temperature Derating at Sea Level
(Vout = 1.0V; Vin = 12V, airflow is from pin 8 to pin 1)



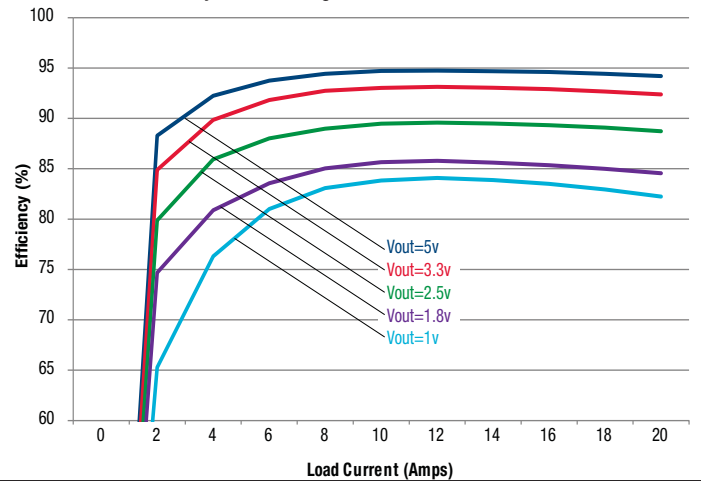
Maximum Current Temperature Derating at Sea Level
(Vout = 2.5V; Vin = 12V, airflow is from pin 8 to pin 1)



Maximum Current Temperature Derating at Sea Level
(Vout = 5.0V; Vin = 12V, airflow is from pin 8 to pin 1)

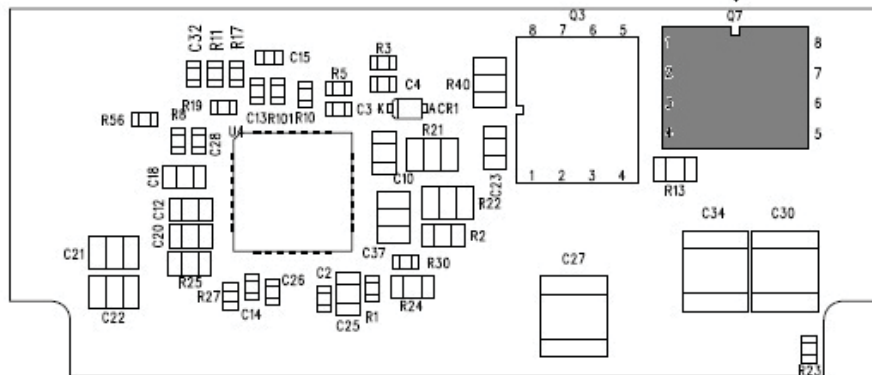


Efficiency vs. Line Voltage and Load Current @ +25°C



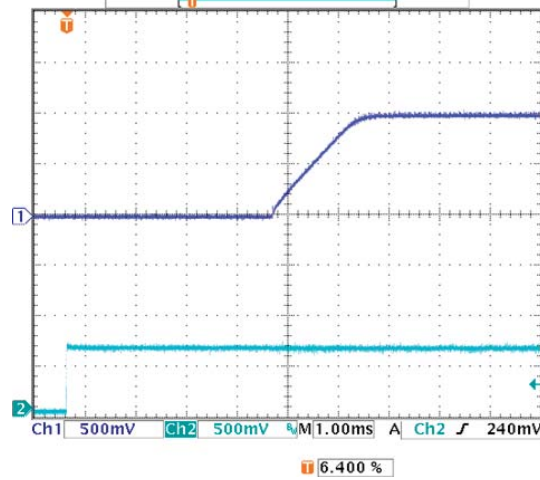
Thermal Reference Point

Thermal reference point
120°C max. (Q7)

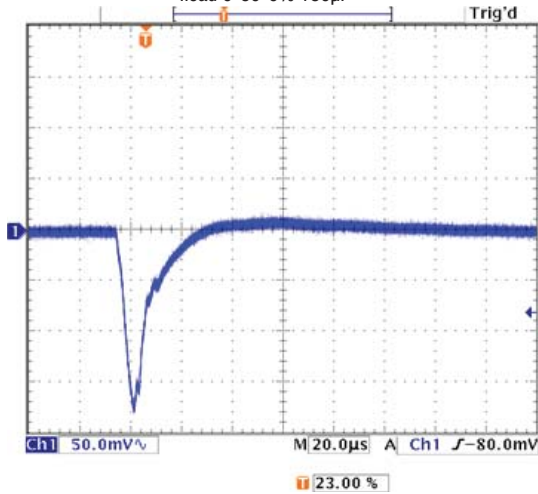


PERFORMANCE DATA

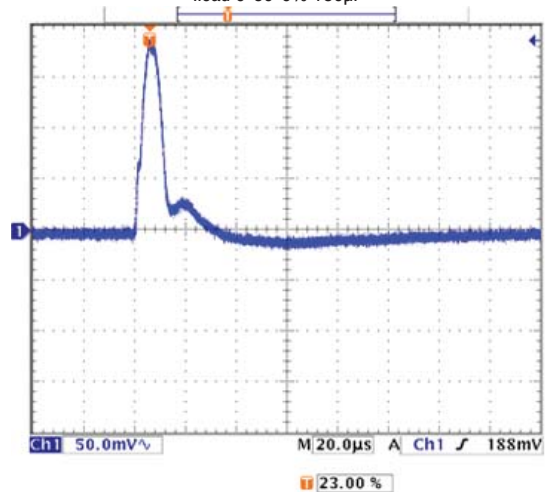
On/Off Enable Startup (Vout=1V, Vin=12V, Iload=0A)



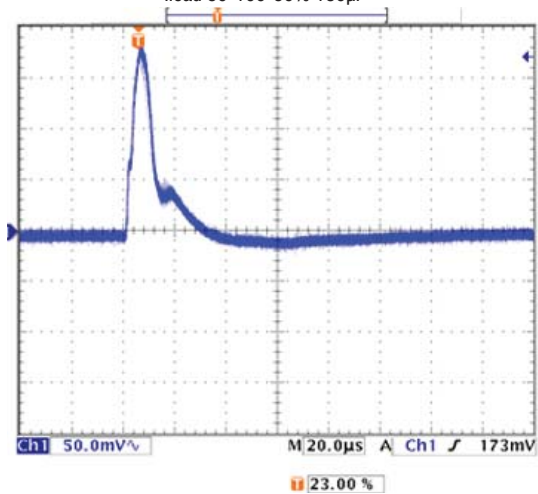
Step Load Transient Response (Vin=12V, Vout=1.0V, Iload=0-10A, 10A/us)
Iload 0-50-0% 130μF



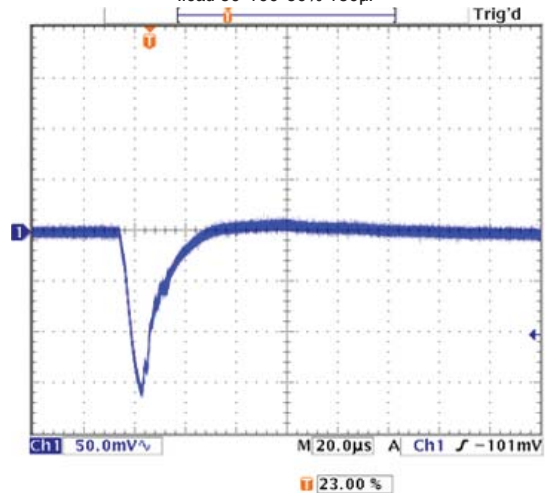
Step Load Transient Response (Vin=12V, Vout=1.0V, Iload=0-10A, 10A/us)
Iload 0-50-0% 130μF



Step Load Transient Response (Vin=12V, Vout=1.0V, Iload=0-10A, 10A/us)
Iload 50-100-50% 130μF

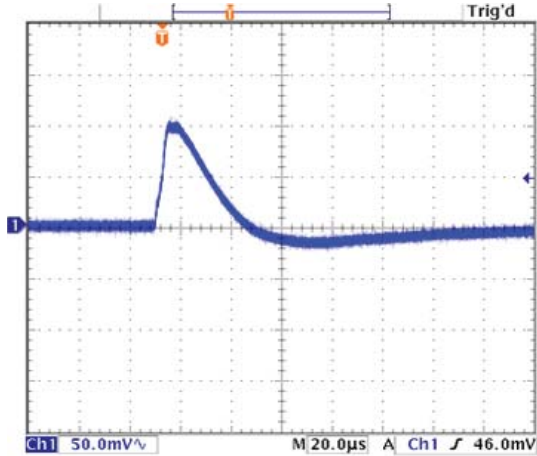


Step Load Transient Response (Vin=12V, Vout=1.0V, Iload=0-10A, 10A/us)
Iload 50-100-50% 130μF

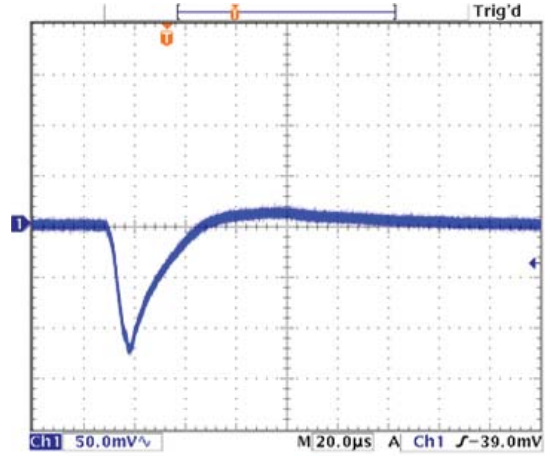


PERFORMANCE DATA

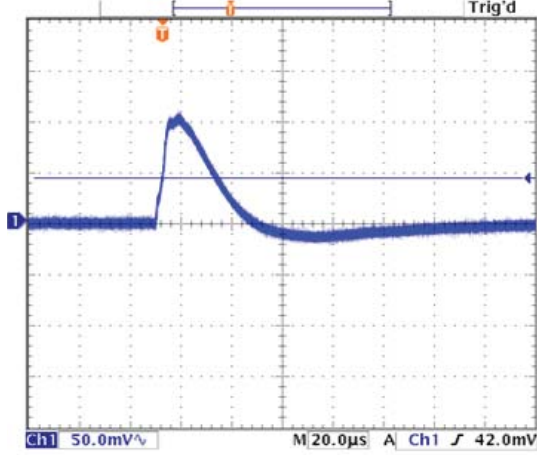
Step Load Transient Response (Vin=12V, Vout=1.0V, Iload=0-10A, 10A/us)
load 0-50-0% 900µF



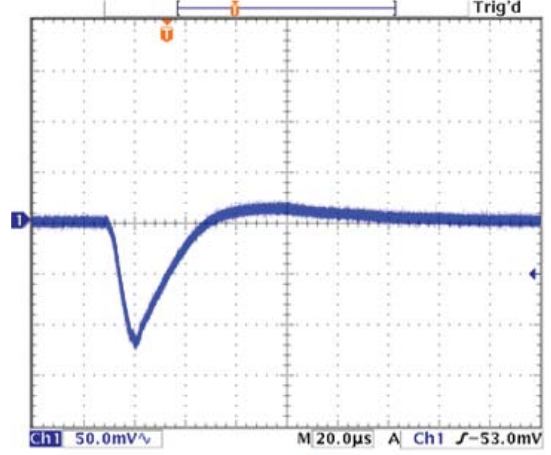
Step Load Transient Response (Vin=12V, Vout=1.0V, Iload=0-10A, 10A/us)
load 0-50-0% 900µF



Step Load Transient Response (Vin=12V, Vout=1.0V, Iload=0-10A, 10A/us)
load 50-100-50% 900µF



Step Load Transient Response (Vin=12V, Vout=1.0V, Iload=0-10A, 10A/us)
load 50-100-50% 900µF



TECHNICAL NOTES

Input Fusing

Certain applications and/or safety agencies may require fuses at the inputs of power conversion components. Fuses should also be used when there is the possibility of sustained input voltage reversal which is not current-limited. For greatest safety, we recommend a fast blow fuse installed in the ungrounded input supply line.

The installer must observe all relevant safety standards and regulations. For safety agency approvals, install the converter in compliance with the end-user safety standard, i.e. IEC/EN/UL 60950-1.

Input Under-Voltage Shutdown and Start-Up Threshold

Under normal start-up conditions, converters will not begin to regulate properly until the ramping-up input voltage exceeds and remains at the Start-Up Threshold Voltage (see Specifications). Once operating, converters will not turn off until the input voltage drops below the Under-Voltage Shutdown Limit. Subsequent restart will not occur until the input voltage rises again above the Start-Up Threshold. This built-in hysteresis prevents any unstable on/off operation at a single input voltage.

Users should be aware however of input sources near the Under-Voltage Shutdown whose voltage decays as input current is consumed (such as capacitor inputs), the converter shuts off and then restarts as the external capacitor recharges. Such situations could oscillate. To prevent this, make sure the operating input voltage is well above the UV Shutdown voltage AT ALL TIMES.

Start-Up Time

Assuming that the output current is set at the rated maximum, the Vin to Vout Start-Up Time (see Specifications) is the time interval between the point when the ramping input voltage crosses the Start-Up Threshold and the fully loaded regulated output voltage enters and remains within its specified accuracy band. Actual measured times will vary with input source impedance, external input capacitance, input voltage slew rate and final value of the input voltage as it appears at the converter.

These converters include a soft start circuit to moderate the duty cycle of its PWM controller at power up, thereby limiting the input inrush current.

The On/Off Remote Control interval from On command to Vout regulated assumes that the converter already has its input voltage stabilized above the Start-Up Threshold before the On command. The interval is measured from the On command until the output enters and remains within its specified accuracy band. The specification assumes that the output is fully loaded at maximum rated current. Similar conditions apply to the On to Vout regulated specification such as external load capacitance and soft start circuitry.

Recommended Input Filtering

The user must assure that the input source has low AC impedance to provide dynamic stability and that the input supply has little or no inductive content, including long distributed wiring to a remote power supply. The converter will operate with no additional external capacitance if these conditions are met.

For best performance, we recommend installing a low-ESR capacitor immediately adjacent to the converter's input terminals. The capacitor should be a ceramic type such as the Murata GRM32 series or a polymer type. Initial

suggested capacitor values are 10 to 22 μF , rated at twice the expected maximum input voltage. Make sure that the input terminals do not go below the undervoltage shutdown voltage at all times. More input bulk capacitance may be added in parallel (either electrolytic or tantalum) if needed.

Recommended Output Filtering

The minimum external output capacitance required for proper operation is 3 $22\mu\text{F}$ and 2 $47\mu\text{F}$ ceramic type. The maximum external output capacitance is $1500\mu\text{F}$. Operating outside of these minimum and maximum limits may affect the performance of the unit.

Input Ripple Current and Output Noise

All models in this converter series are tested and specified for input reflected ripple current and output noise using designated external input/output components, circuits and layout as shown in the figures below. In the figure below, the Cbus and Lbus components simulate a typical DC voltage bus. Please note that the values of Cin, Lbus and Cbus will vary according to the specific converter model.

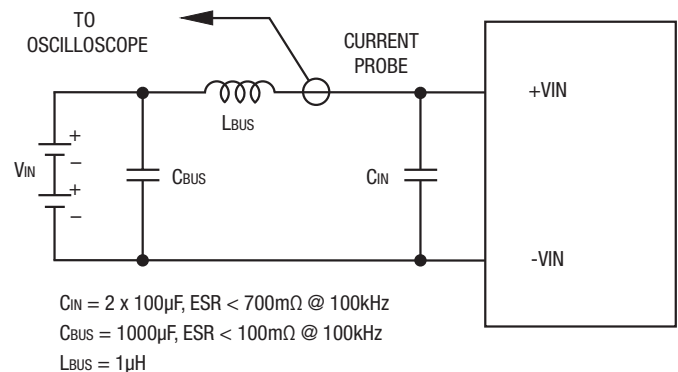


Figure 3. Measuring Input Ripple Current

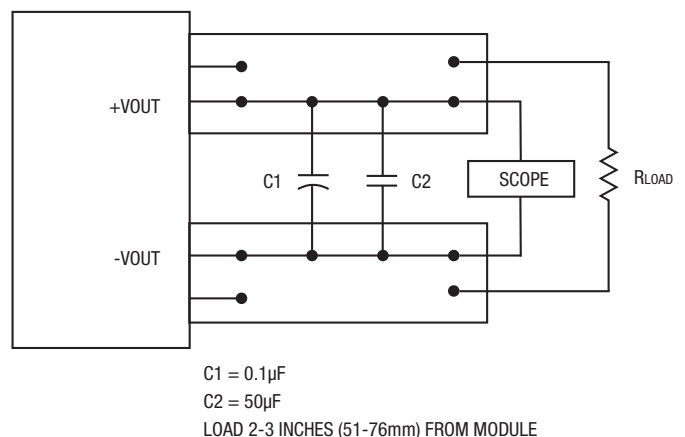


Figure 4. Measuring Output Ripple and Noise (PARD)

Minimum Output Loading Requirements

All models regulate within specification and are stable under no load to full load conditions. Operation under no load might however slightly increase output ripple and noise.

Thermal Shutdown

To prevent many over temperature problems and damage, these converters include thermal shutdown circuitry. If environmental conditions cause the temperature of the DC/DC's to rise above the Operating Temperature Range up to the shutdown temperature, an on-board electronic temperature sensor will power down the unit. When the temperature decreases below the turn-on threshold, the converter will automatically restart. There is a small amount of hysteresis to prevent rapid on/off cycling. The temperature sensor is typically located adjacent to the switching controller, approximately in the center of the unit. See the Performance and Functional Specifications.

CAUTION: If you operate too close to the thermal limits, the converter may shut down suddenly without warning. Be sure to thoroughly test your application to avoid unplanned thermal shutdown.

Temperature Derating Curves

The graphs in this data sheet illustrate typical operation under a variety of conditions. The Derating curves show the maximum continuous ambient air temperature and decreasing maximum output current which is acceptable under increasing forced airflow measured in Linear Feet per Minute (“LFM”). Note that these are AVERAGE measurements. The converter will accept brief increases in current or reduced airflow as long as the average is not exceeded.

Note that the temperatures are of the ambient airflow, not the converter itself which is obviously running at higher temperature than the outside air. Also note that very low flow rates (below about 25 LFM) are similar to “natural convection,” that is, not using fan-forced airflow.

Murata Power Solutions makes Characterization measurements in a closed cycle wind tunnel with calibrated airflow. We use both thermocouples and an infrared camera system to observe thermal performance.

CAUTION: If you routinely or accidentally exceed these Derating guidelines, the converter may have an unplanned Over Temperature shut down. Also, these graphs are all collected at slightly above Sea Level altitude. Be sure to reduce the derating for higher density altitude.

Output Current Limiting

Current limiting inception is defined as the point at which full power falls below the rated tolerance. See the Performance/Functional Specifications. Note particularly that the output current may briefly rise above its rated value in normal

operation as long as the average output power is not exceeded. This enhances reliability and continued operation of your application. If the output current is too high, the converter will enter the short circuit condition.

Output Short Circuit Condition

When a converter is in current-limit mode, the output voltage will drop as the output current demand increases. If the output voltage drops too low (approximately 98% of nominal output voltage for most models), the magnetically coupled voltage used to develop primary side voltages will also drop, thereby shutting down the PWM controller. Following a time-out period, the PWM will restart, causing the output voltage to begin ramping up to its appropriate value. If the short-circuit condition persists, another shutdown cycle will initiate. This rapid on/off cycling is called “hiccup mode”. The hiccup cycling reduces the average output current, thereby preventing excessive internal temperatures and/or component damage. A short circuit can be tolerated indefinitely.

The “hiccup” system differs from older latching short circuit systems because you do not have to power down the converter to make it restart. The system will automatically restore operation as soon as the short circuit condition is removed.

External Enable On/Off Control (see figure 5)

The forced On/Off enable option uses positive logic for the external control. The converter may be powered ON by applying a positive voltage (logic HI) between the On/Off pin and the negative power input (-Vin). This positive voltage is referred to -Vin and must be in the range of at least +2.0V and not to exceed the power supply input voltage (+Vin). The current drain is 12 mA max. when turned on.

If the On/Off pin is left open, an internal 100 Kiloohm pull-down resistor will turn the converter OFF. The OFF condition may also be commanded by grounding the pin or from an external logic LO voltage not to exceed +0.4 Volts. All voltages are referred to the -Vin negative power input.

If you wish to control the On/Off circuit by external logic rather than a switch, carefully compare your logic threshold voltages with that of the On/Off input.

The circuit below indicates the equivalent input. Please avoid false signals from ground bounce errors on the On/Off control.

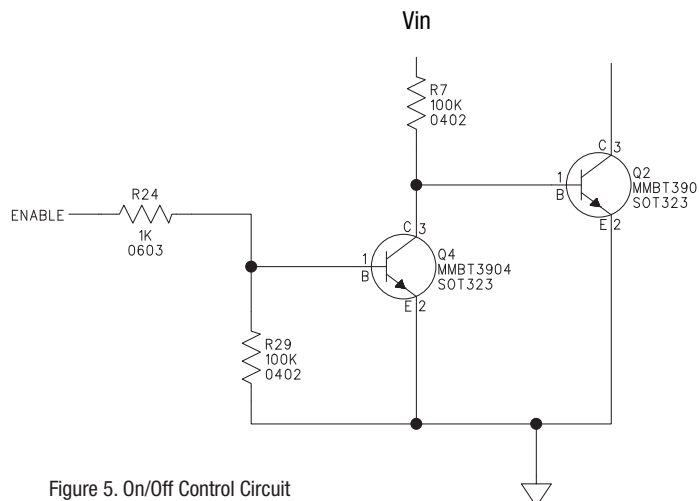
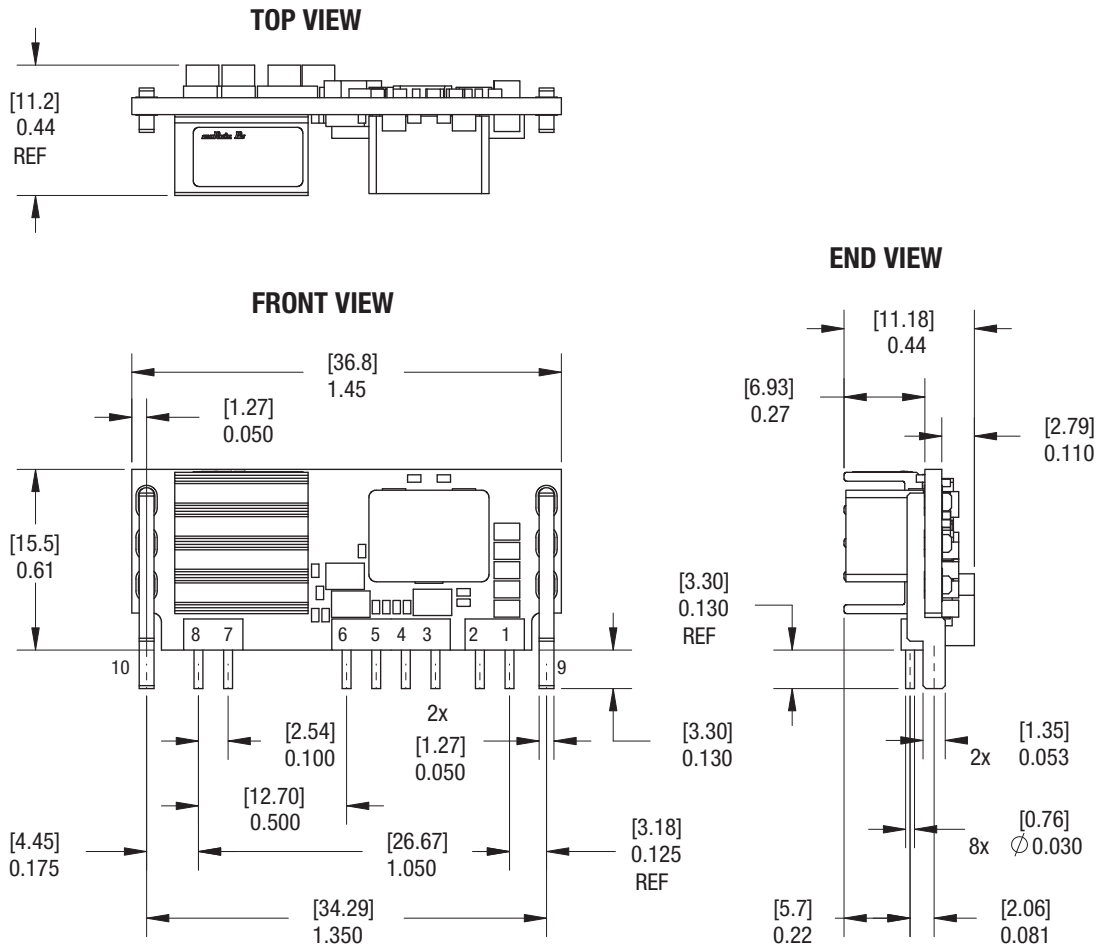


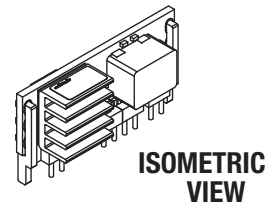
Figure 5. On/Off Control Circuit

MECHANICAL SPECIFICATIONS



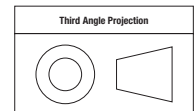
MATERIAL:
 \varnothing 0.030 HEADER PINS: COPPER ALLOY
 SUPPORT PINS: TIN PLATED BRASS

FINISH: (ALL HEADER PINS)
 200 μ m MIN MATTE TIN OVER NICKEL (40 μ m MIN)



INPUT/OUTPUT CONNECTIONS OKR-T/20-W12-C	
Pin	Function
J1-1	+V _{OUT}
J1-2	Output Trim
J1-3	PGND
J1-4	PG _{OOD}
J1-5	Enable
J1-6	+V _{IN}
J1-7	(+) Remote Sense
J1-8	(-) Remote Sense
J1-9	Mechanical Support
J1-10	Mechanical Support

Dimensions are in inches (mm shown for ref. only).

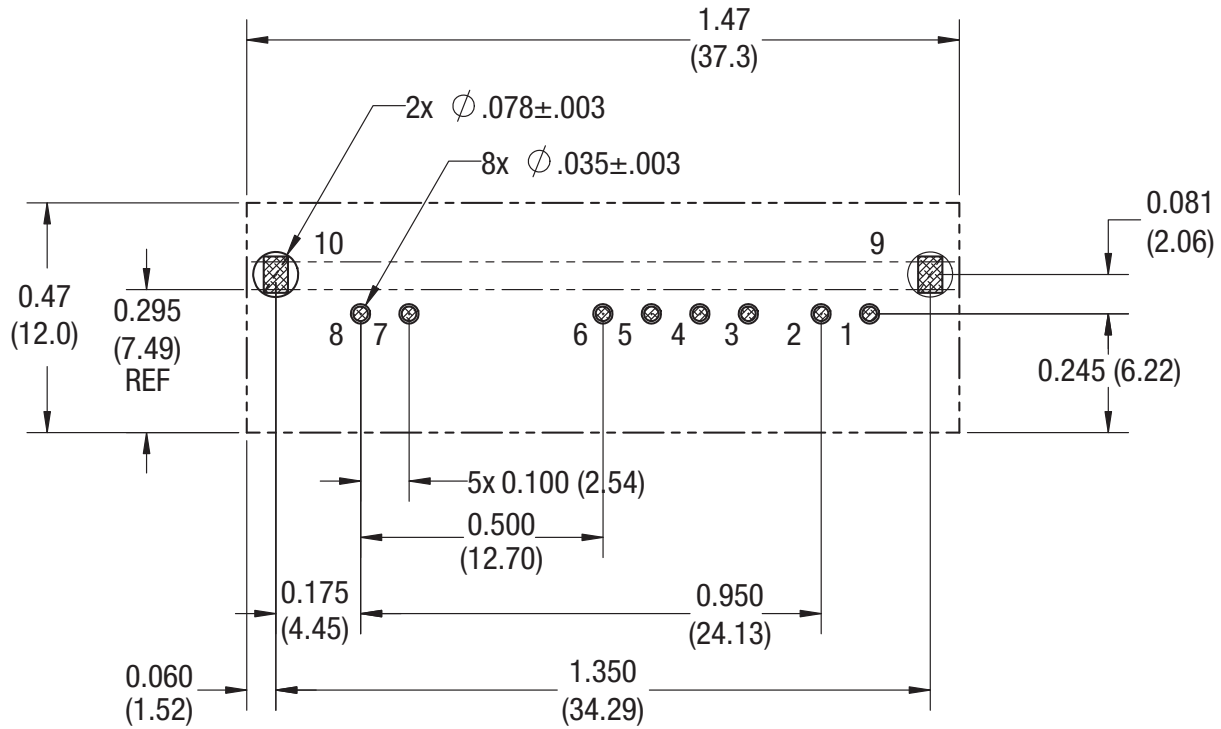


Tolerances (unless otherwise specified):
 .XX ± 0.02 (0.5)
 .XXX ± 0.010 (0.25)
 Angles ± 2°

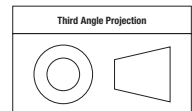
Components are shown for reference only.

MECHANICAL SPECIFICATIONS

**RECOMMENDED FOOTPRINT
(VIEW FROM TOP)**



Dimensions are in inches (mm shown for ref. only).

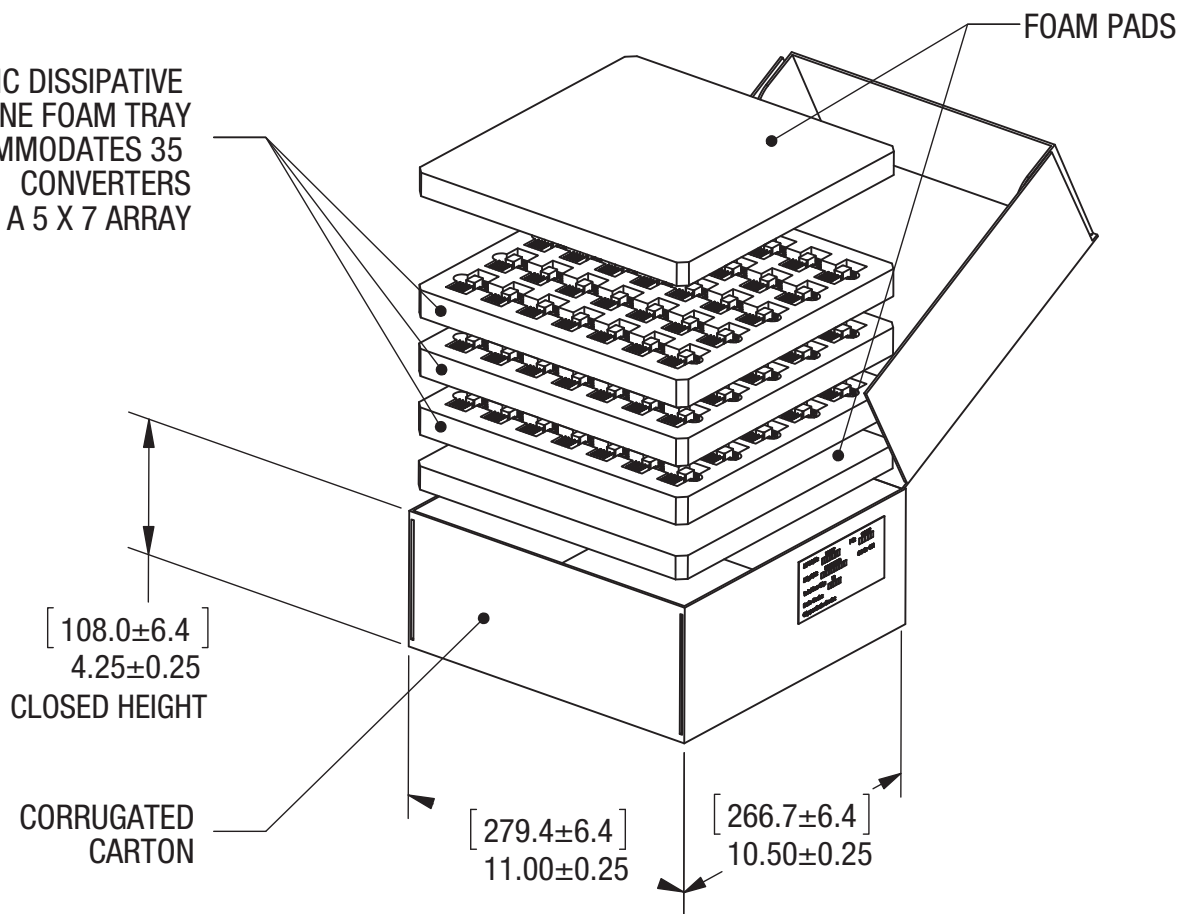


Tolerances (unless otherwise specified):
.XX ± 0.02 (0.5)
.XXX ± 0.010 (0.25)
Angles ± 2'

Components are shown for reference only.

STANDARD PACKAGING

EACH STATIC DISSIPATIVE
POLYETHYLENE FOAM TRAY
ACCOMMODATES 35
CONVERTERS
IN A 5 X 7 ARRAY

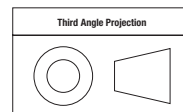


STANDARD PACKAGING

35 UNITS PER TRAY
3 TRAYS PER CARTON

MPQ=105 UNITS

Dimensions are in inches (mm shown for ref. only).



Tolerances (unless otherwise specified):
.XX ± 0.02 (0.5)
.XXX ± 0.010 (0.25)
Angles ± 2°

Components are shown for reference only.

Soldering Guidelines

Murata Power Solutions recommends the specifications below when installing these converters. These specifications vary depending on the solder type. Exceeding these specifications may cause damage to the product. Your production environment may differ; therefore please thoroughly review these guidelines with your process engineers.

Wave Solder Operations for through-hole mounted products (THMT)			
For Sn/Ag/Cu based solders:		For Sn/Pb based solders:	
Maximum Preheat Temperature	115° C.	Maximum Preheat Temperature	105° C.
Maximum Pot Temperature	270° C.	Maximum Pot Temperature	250° C.
Maximum Solder Dwell Time	7 seconds	Maximum Solder Dwell Time	6 seconds

Murata Power Solutions, Inc.
11 Cabot Boulevard, Mansfield, MA 02048-1151 U.S.A.
ISO 9001 and 14001 REGISTERED



This product is subject to the following operating requirements and the Life and Safety Critical Application Sales Policy:
Refer to: <http://www.murata-ps.com/requirements/>

Murata Power Solutions, Inc. makes no representation that the use of its products in the circuits described herein, or the use of other technical information contained herein, will not infringe upon existing or future patent rights. The descriptions contained herein do not imply the granting of licenses to make, use, or sell equipment constructed in accordance therewith. Specifications are subject to change without notice.
© 2016 Murata Power Solutions, Inc.