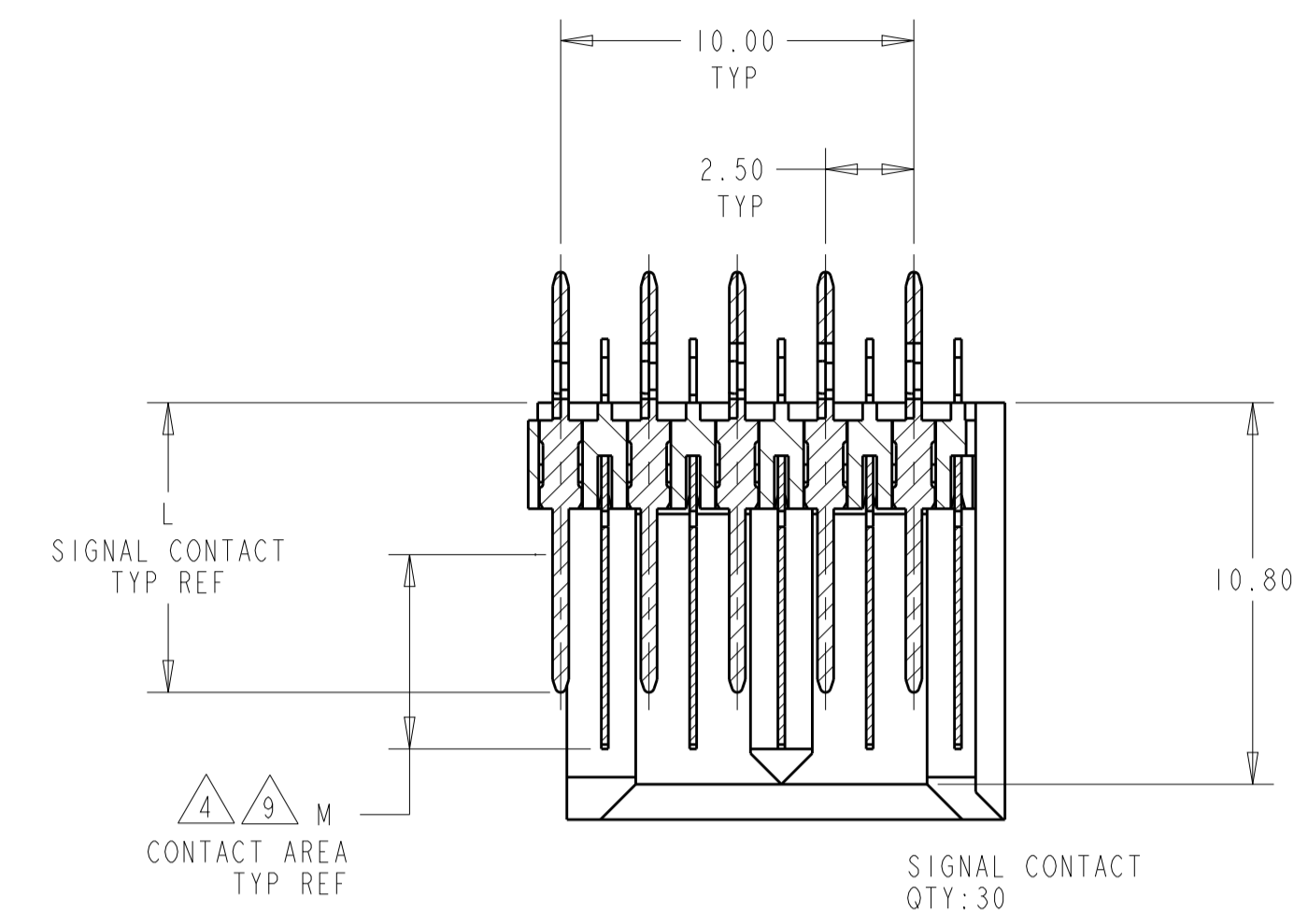
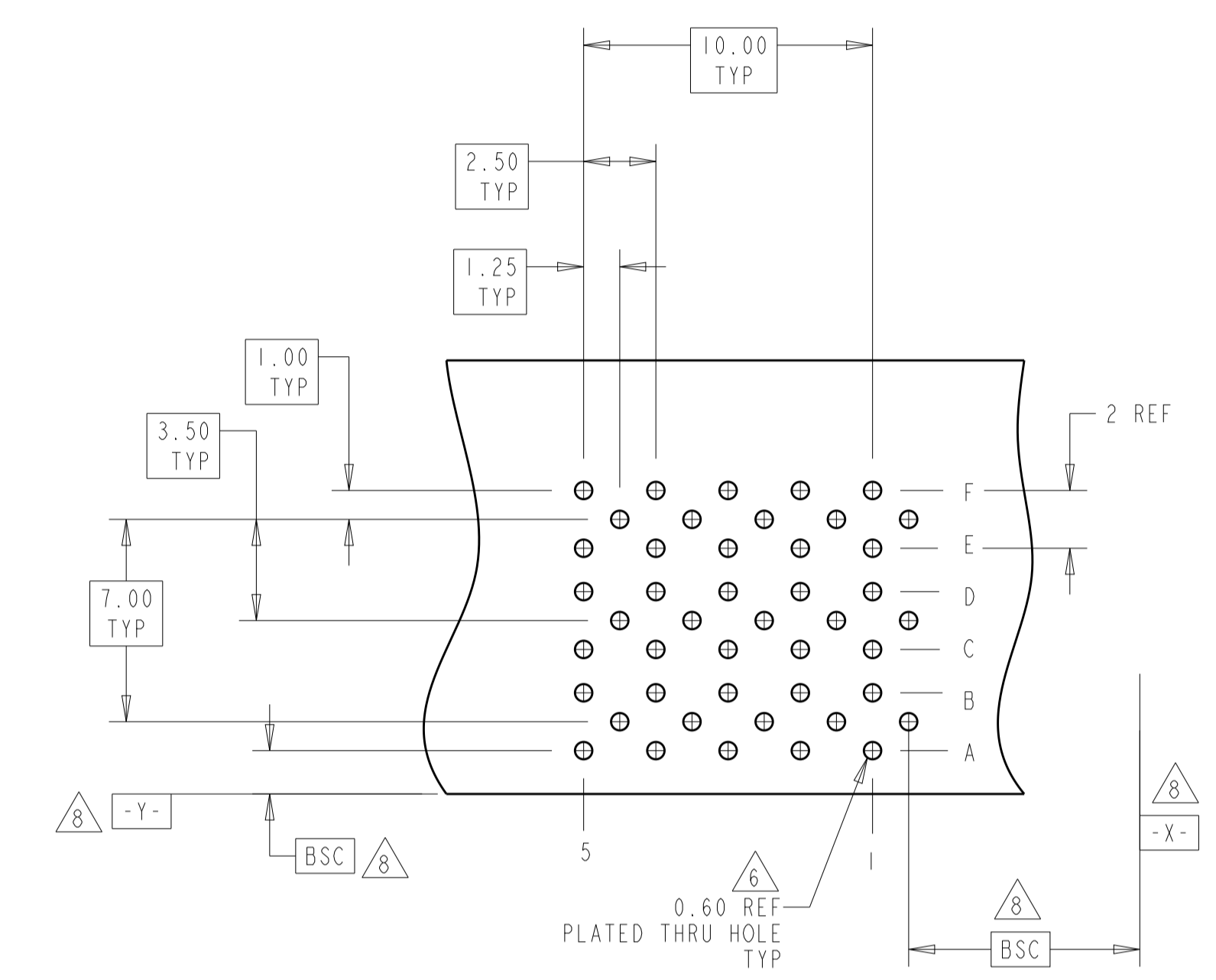
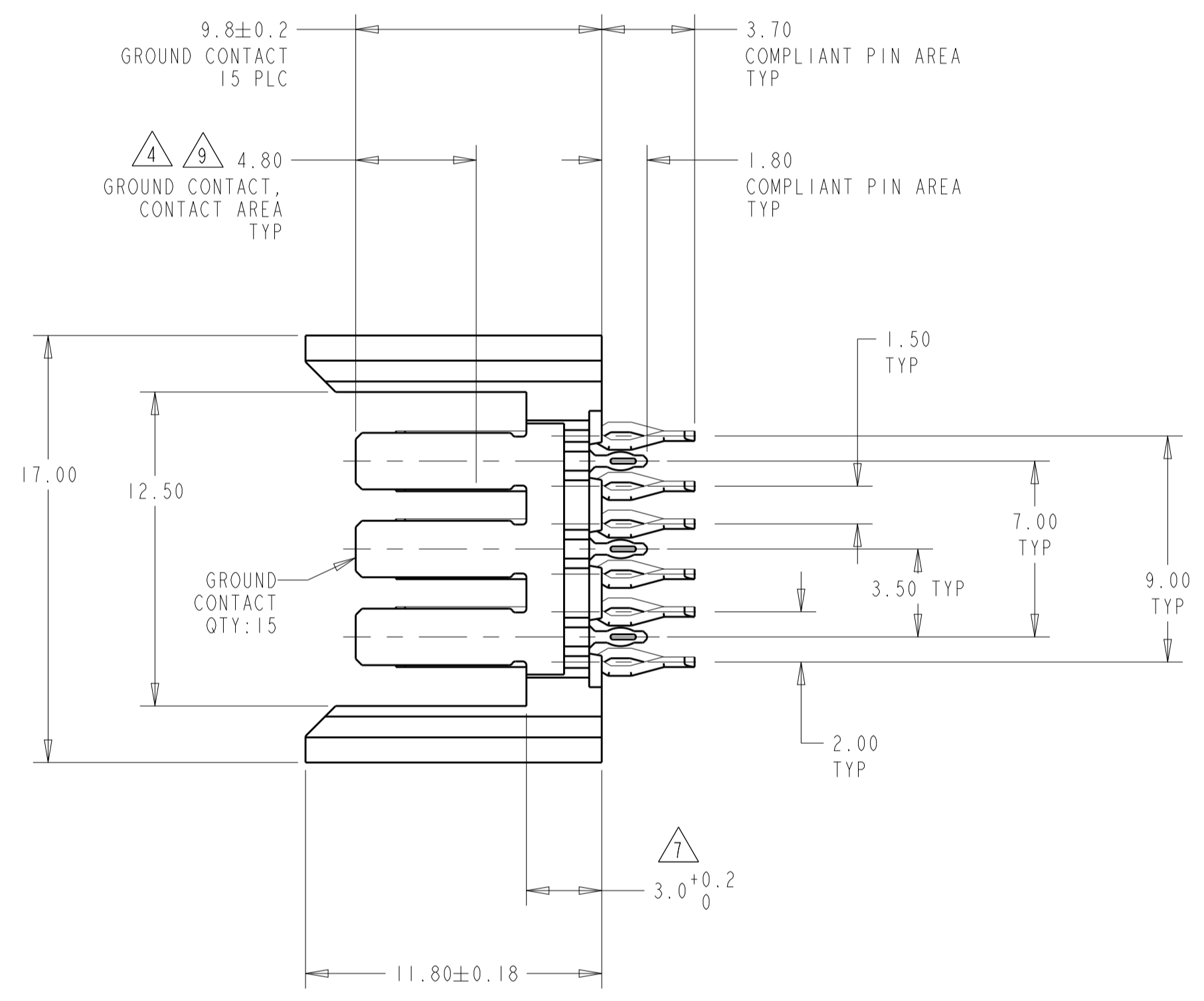
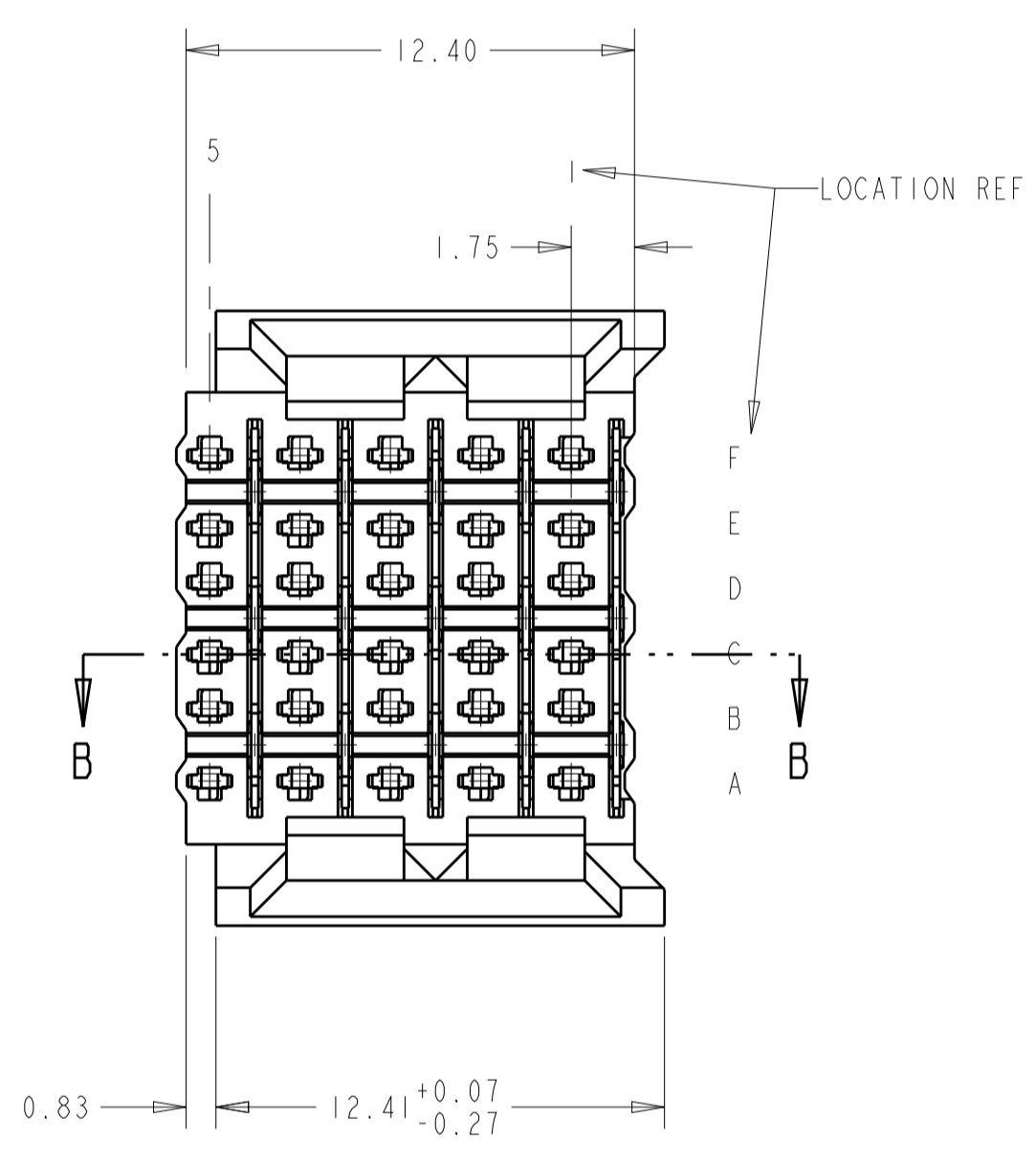


LOC		DIST		REVISIONS			
AD	00	P	LTN	DESCRIPTION	DATE	DWN	APVD
		B		REVISED PER ECO-12-006972	23AUG2012	KH	JE

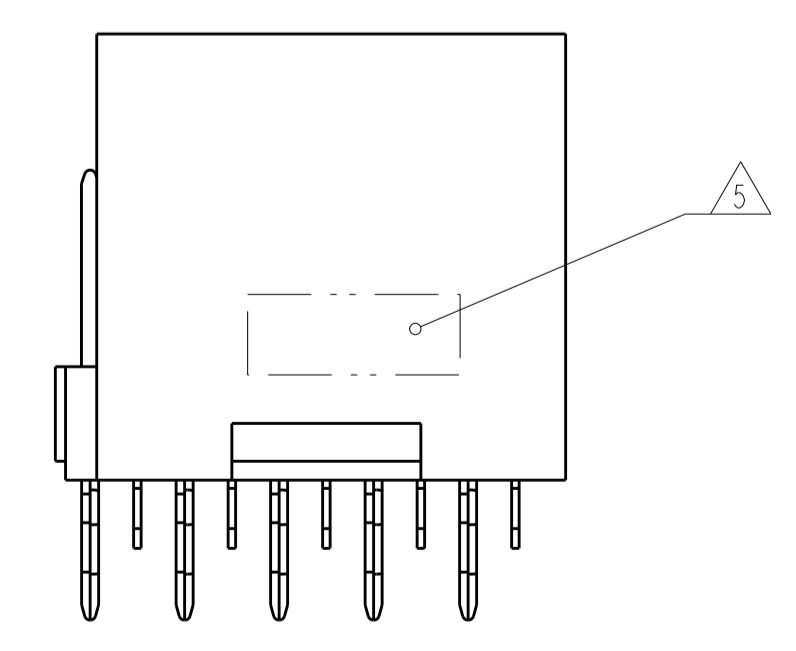
- 2 PHOSPHOR BRONZE
- 3 LCP, UL94V-0
- 4 FINISH:
CONTACT MATING AREA MEETS THE PERFORMANCE REQUIREMENTS OF
TE CONNECTIVITY PRODUCT SPECIFICATION 108-1957; BASED ON
TELCORDIA GR-1217-CORE; APPLICATIONS IN UNCONTROLLED ENVIRONMENTS.
COMPLIANT PIN AREA: 0.5µm MIN MATTE TIN OVER BASE PLATING.
- 5 CONNECTOR MARKED WITH PART NUMBER AND DATE CODE
- 6 REFERENCE APPLICATION SPEC 114-13020 FOR RECOMMENDED
PLATED THRU HOLE DIAMETER AND PLATING THICKNESS.
- 7 APPLICATION SEATING HEIGHT TO PRINTED CIRCUIT BOARD
- 8 DATUMS AND BASIC DIMENSIONS ESTABLISHED BY CUSTOMER
- 9 CONTACT AREA LUBRICATED WITH BELLCORE APPROVED LUBRICANT
TECHNICAL REFERENCE: GR-1217-CORE, ISSUE 1, NOVEMBER 1995



SECTION B-B



RECOMMENDED
PRINTED CIRCUIT BOARD
LAYOUT
COMPONENT SIDE OF PRINTED CIRCUIT BOARD



5.50	9.7	5120732-2
5.50	8.2	5120732-1
M	L	PART NUMBER

THIS DRAWING IS A CONTROLLED DOCUMENT.		DWN: B. CARBO 07DEC04	TE Connectivity NAME: HEADER ASSEMBLY, 30 POSITION, 6 ROW, BACKPLANE CONNECTOR, Z-PACK HS3
DIMENSIONS: mm		CHK: R. PATTERSON 07DEC04	
TOLERANCES UNLESS OTHERWISE SPECIFIED: 0 PLC ± 1 PLC ± 2 PLC ±0.13 3 PLC ±0.05 4 PLC ± ANGLES ±		APVD: R. PATTERSON 07DEC04	
MATERIAL HOUSING: 3		PRODUCT SPEC: -	
CONTACTS: 2		SIGNAL CONTACT: 4	APPLICATION SPEC: -
FINISH: -		WEIGHT: -	SIZE: A1
CUSTOMER DRAWING		CAGE CODE: 00779	DRAWING NO: 5120732
SCALE: 5:1		SHEET: 1	OF: 1
REV: B			